

DESCRIPTION

The GTR-50 automatically starts and stops generators during mains power failure when user defined criteria are met. Operating status as well as fault readout is clearly visible on the front panel LED's.

Network connectivity is provided no matter how long the distance. Monitoring and servicing to a much larger clientele base. Instant monitoring services and parameter setup to get your customers up and running in the shortest possible time without even leaving the office. An advantage for the service industry is the real-time and simplified functionality and maintenance of the GTR series controller. These features provide fast and professional service.

Power source connectivity protection; A protective circuit LED readout will indicate when reverse power source connection is made. System protection is assured. Anti-Crash watchdog circuitry and software programming provide a real-time operating system that corrects itself in case of unwanted interference in program processing. Quick-Snap connectors prevent wrong cable connections. Auto self-recovery fuses protection for input/output current. (No replacement necessary)

GTR units are constructed with a strong and appealing cast aluminum casing. The sand blasted aluminum finish creates a long lasting hard finish. Oxidation treatment prevents rust and deterioration. Special slide tray design protects the vital internal components.

The GTR-50 is a versatile generator/engine controller equipped with all of the basic vital functions found in most controllers on today's market. The major difference in our systems is the accessibility of the system either from the control panel or from a remote site via telephone line or broadband connection.

Easy real-time monitoring and parameter setup are accomplished through a network connection to the control center. The GTR-50 controller is designed for real-time generator/engine monitoring and control. Both Analog and Digital readouts of system information are visible on a personal computer through an RS-485 communication port. The GTR-50 is one model in a series of GTR controller systems made by Monicon Instruments. Its multi-functionality, compact size, easy maintenance and lightweight make it possible to meet your specific application requirements.

Digital Detection:

- ◆ High Water Temperature Switch
- ◆ Low Oil Pressure Switch
- ◆ Low Water Level Switch
- ◆ Low Fuel Level Switch
- ◆ Emergency Stop Switch
- ◆ Frequency Value



Panel

◆ Switch Function:

- **Off:** Generator shutdown (no action).
- **Manual:** Operator controlled engine start up.
- **ATS:** Auto start function will be activated by detecting shorted signal of terminal 17, 18.
- **Test:** Tests lights for solid, clear, brightness and alarm.
- **Reset:** First time "Reset" shutdown the alarm. **Second** time "Reset" clears fault lights. Holding down for a longer period will produce 1st and 2nd time "Reset" functions

Protective Functions

◆ Engine:

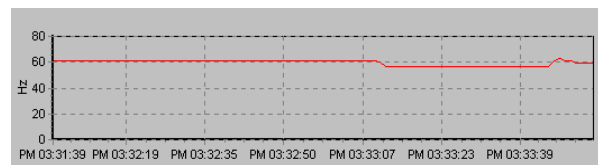
- Over Crank
- Low Oil Pressure
- High Water Temperature
- Low Water Level*
- High Speed

◆ Generator:

- Low Frequency*
- Emergency Stop*
- Low Fuel Level*

* Indicates that function is user definable.

◆ Data Log:



Specifications

DC Supply:

8 ~ 36 VDC (Over 36 VDC the system will shutdown DC input.)

Power Consumption:

Max. 10 W

Measuring Frequency:

0 ~ 80 Hz (Min AC Volts: 10 V)

Relay Output:

5 A /30 VDC

Software Platforms:

Windows 98, Windows ME, Windows 2000, Windows XP

Communication Protocol:

RS-485 (Dynamic encryption by Monicon Instruments)

Operating Temperature Range:

-30 °C ~ +70 °C

Dimension (W x H x D):

72 mm x 144 mm x 74 mm

Panel Cut-out (W x H):

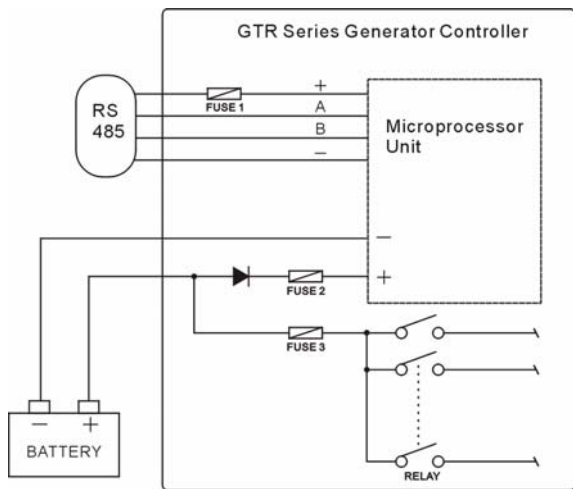
67 mm x 138 mm

Weight:

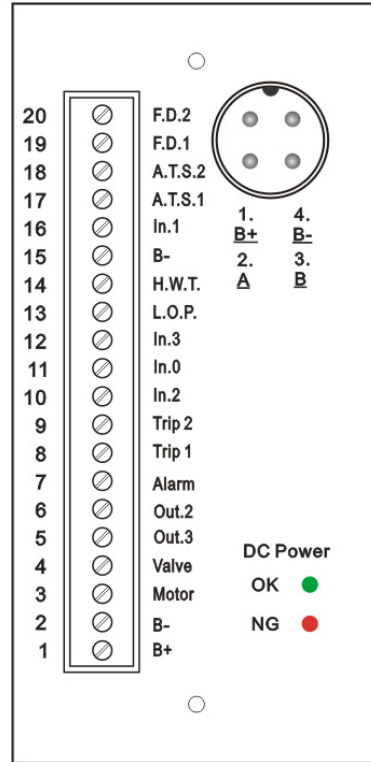
0.6 Kg (1.33 lb.)

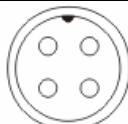
Ambient Temperature Range:

-30 °C ~ 70 °C

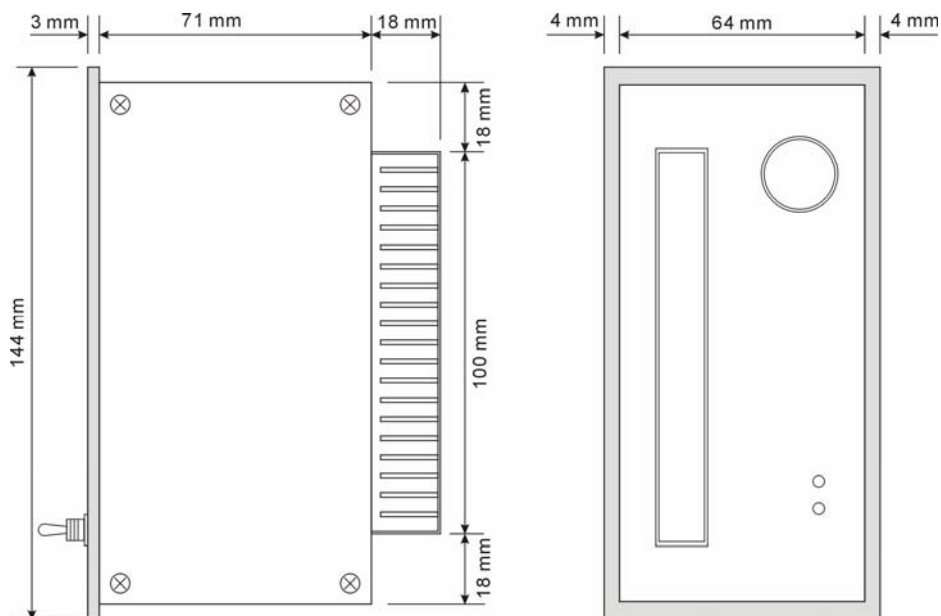


Fuse1: 100 mA
 Fuse2: 750 mA
 Fuse3: 6 A

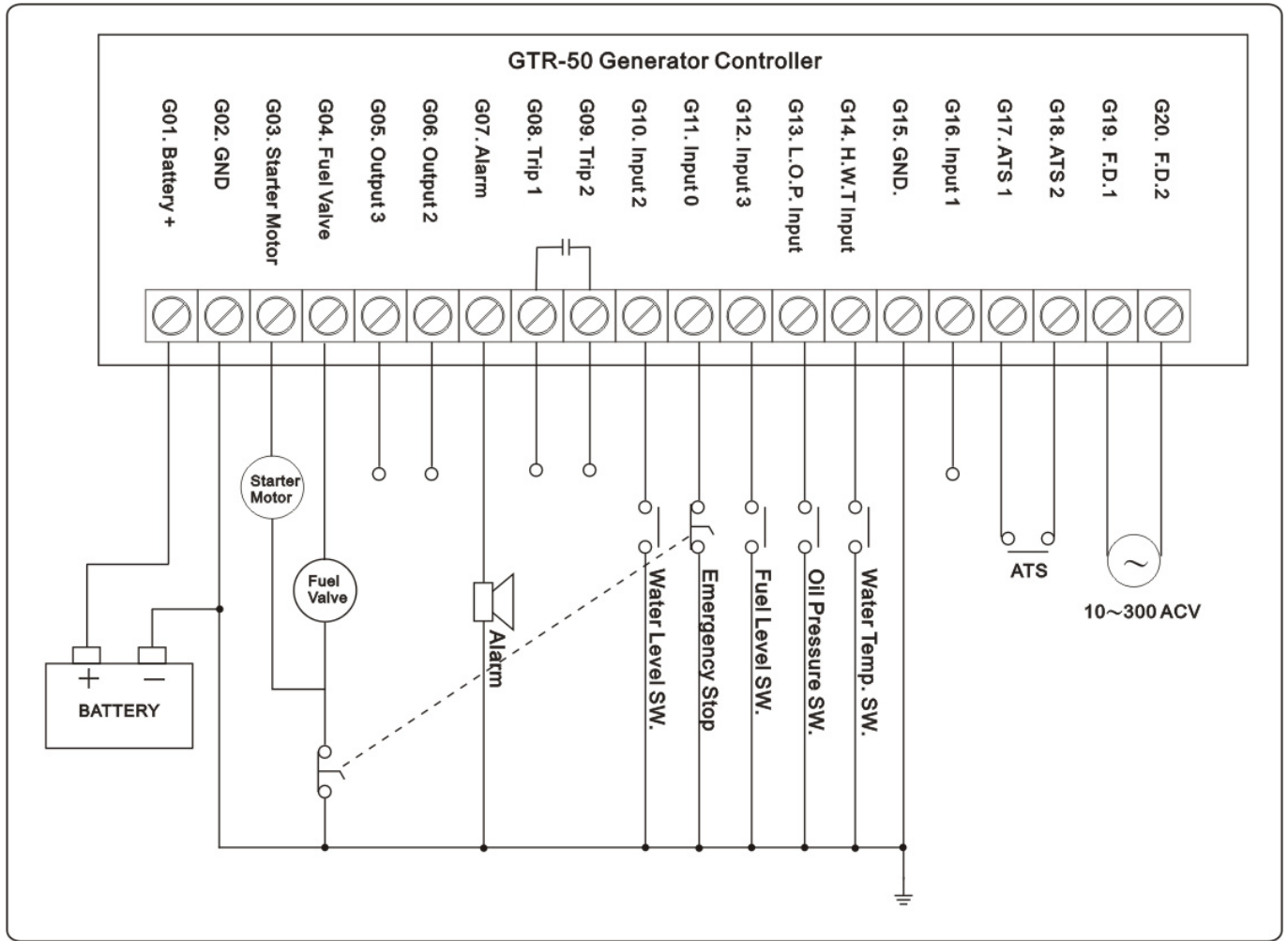


OK ●	OK: Solid "green" LED display
NG ●	Polarity fault
	RS-485 Communication Port

Dimension



TYPICAL CONNECTIONS



Monicon Instruments Co., Ltd.

19F.-1, No.631, Sec. 1, Chongde Rd., North District, Taichung City 404, Taiwan (R.O.C.)

TEL: 886-4-2238-0698

FAX: 886-4-2238-0891

Web Site: <http://www.monicon.com.tw>

E-mail: sales@monicon.com.tw