

# GTR-200

## Generator controller



### Features

- Applies micro processing platform design.
- LCD graphical display to indicate the system status.
- LCD with 2 back-lit, clearly display the system status.
- 24 Malfunction datas can be recorded inside.
- Input switch signal can be set in NO/NC mode.
- Programmable front panel
- HWT & LOP pre-warning function supported.
- Broad voltage working range 8~36 VDC  
Power Consumption: 100 mA@ 12 V ;  
50 mA@ 24 V
- Auto start & stop generator.

### Protection

- High/Low AC current protection
- Over current / Short protection
- Emergency stop
- Low battery warning
- Over speed protection
- Under/Over frequency protection
- High engine temperature protection
- Low oil pressure protection
- Over crank protection
- Low water level protection
- Low fuel level protection

### Introduction

GTR-200 is one of the most robust, digitized generator controller, not only capable of receipt instant information and error messages from the gen-set but also can protect the operation of gen-set at the same time when error occurs. The enlarged LCD panel which with red and blue back-lits will help user to distinguish the situation of gen-set easier from different back-lit lights. GTR-200 can also be adjusted the built-in parameters for adapting all kinds of needs which requested from different gen-sets.

### Indication capability

- Generator Volts L1-N, L2-N, L3-N
- Generator Volts L1-L2, L2-L3, L3-L1
- Generator Amps L1, L2, L3
- Generator Frequency Hz & Speed RPM
- Engine temperature
- Lubricant oil pressure
- Plant Battery Volts- DC
- Running Hours of Engine

### Input signal

- High water Temperature
- Low oil pressure
- ATS Switch
- Emergency Stop
- Low water level
- Low fuel level
- 2 sets of Aux. Input
- 2 sets of Analog input- HWT & LOP

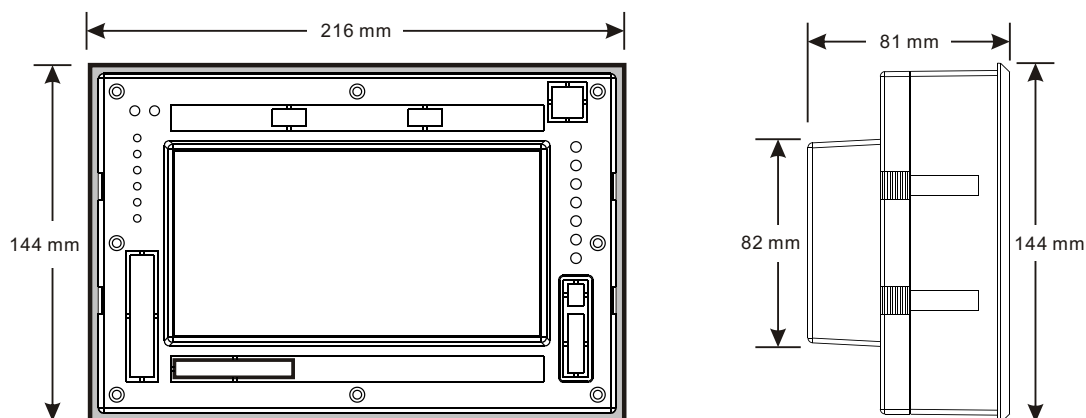
### Relay Output Function

- Start Motor
- Valve
- Stop engine
- Alarm
- ACB Close
- 4 sets of programmable output relay

## Specification

- DC Input  
8~36V (DC)
- Measuring Frequency  
Rated Min. voltage : 5V~295V  
Rated range : 0~80 Hz
- MPU input signal  
Voltage : 2~70 V Peak  
Frequency : 10,000 Hz (max)
- DC Voltmeter  
Rated range : 10~32 V, 1%
- AC Voltmeter  
Rated range : 0~295 V(Ph-N), 0.5 %
- AC Ammeter  
Rated range : C/T 0~5 A, 0.5 %
- Power Consumption  
Max. 5 W, 400mA@12V;200mA@24V
- Relay output  
6 A/30 V
- Working Temperature  
-20°C~60°C
- Storage Temperature  
-30°C~70°C
- Dimension  
216 mm x 144 mm x 81 mm
- Panel cut-out (W\*H)  
210 mm x 138 mm

## Dimension



## Wiring

